

BID TABULATION- BRUSH CHIPPER 2014

BRUSH CHIPPER 2014 BID OPENING 11-4-14	JOHN FABICK TRACTOR CO	JOHN FABICK TRACTOR CO (ALTERNATE BID)	WOODYS MUNICIPAL	VERMEER SALES & SERVICE M.I. INC
	ONE FABICK DRIVE FENTON MO 63026	ONE FABICK DRIVE FENTON MO 63026	3979 BLACKBURN RD EDWARDSVILLE IL 62025	621 SPIRIT VALLEY DR EAST CHESTERFIELD MO 63005
Description of Equipment:	New 2015 Morbark M15R	2013 Mobark M15R 2 Hours Machine is at Fenton Yard	Woodsman 750	New 2014 Vermeer BC1500
Total Cost \$	\$55,500.00	\$49,500.00	\$47,334.00	\$56,000.00
Less Trade in for a 2003 BC 1400 Vermeer Chipper with Approximately 1537 Hours, Vin # 1VRU16144221000132 \$	\$7,000.00	\$7,000.00	\$8,000.00	\$16,500.00
Net Price \$	\$48,500.00	\$42,500.00	\$39,334.00	\$39,500.00
Delivery to be included to the Jefferson County Highway Department West Shed located at Highway B and Butcher.Branch Road in Hillsboro, MO				
NOTARIZED WORK AFFIDAVIT COMPLETED	YES	YES	YES	YES
COPY OF INSURANCE PROVIDED	YES	YES	NO	YES
TAX RECEIPTS OR NOTARIZED LETTER STATING NO REAL OR PERSONAL PROPERTY OWNED IN JEFFERSON COUNTY	YES	YES	NO	YES
COOPERATIVE BID FORM (Y/N)	YES	YES	NO	YES
COOPERATIVE CONTACT INFO:	YES	YES	YES	YES
COMPANY INFORMATION AND SIGNATURE	YES	YES	YES	YES
BID DEPOSIT REQUIRED	N/A	N/A	N/A	N/A
COMMENTS:	See additional documentation for more information on the machine proposed.	See additional documentation on bid specifications. There have been some modifications to page 12 of 13. This is an alternate bid and machine specifications are different.	See additional documentation on bid specifications. There have been some modifications to page 12 of 13 as well as some additional information added.	See additional documentation for more information on machine proposed.



JEFFERSON COUNTY
DEPARTMENT OF ADMINISTRATIVE SERVICES
 729 MAPLE ST / PO BOX 100
 HILLSBORO MO 63050
 WWW.JEFFCOMO.ORG

Invitation for Bid: BRUSH CHIPPER 2014

Date Issued: 10-3-14

BIDS SHALL BE ACCEPTED UNTIL: TUESDAY, NOVEMBER 4, 2014, AT 2:00 P.M. LOCAL TIME.

**Specification
 Contact:**

DAVID MIKUSCH
 Department of Fleet
 636-797-6017
 dmikusch@jeffcomo.org

**Contract
 Contact:**

VICKIE PRATT
 Department of Administrative Services
 636-797-5380

SAMPLE ENVELOPE

**Mail (3) Three
 Complete Copies
 With Vendor And
 Bid Information As
 Shown In Sample:**

<i>VENDOR NAME</i>	
<i>VENDOR ADDRESS</i>	
<i>CONTACT NUMBER</i>	DEPARTMENT OF THE COUNTY CLERK
	JEFFERSON COUNTY MISSOURI
	729 MAPLE ST / PO BOX 100
	HILLSBORO MO 63050-0100
SEALED BID: (<i>BID NAME</i>)	

**Contract Term:
 UPON APPROVAL OF THE
 COUNTY COUNCIL AND
 COUNTY EXECUTIVE**

The undersigned certifies that he/she has the authority to bind this company in an agreement/contract to supply the commodity or service in accordance with all terms, conditions, and pricing specified. This Bid, if accepted, will constitute an Agreement and Contract with Jefferson County, Missouri, upon approval of the County Council and County Executive. Prices are firm during this agreement term, unless agreed upon in writing by the County. The County has the option to renew this agreement at the same terms and conditions as the original agreement for one additional one-year term with the written consent of the successful Bidder. Price increases for renewals are not authorized unless approved in writing by the County.

**Vendor
 Information:**

John Fabick Tractor Co.	Matt Jundt
Company Name	Authorized Agent (Print)
One Fabick Drive	
Address	Signature
Fenton/MO/63026	Territory Mgr
City/State/Zip Code	Title
314 607 3266	11/4/14
Telephone #	Date
43-0263380	Tax ID #
636-680-1550	Fax #
matt.jundt@fabickcat.com	
E-mail	

SPECIFICATIONS

Bid Request:

The Jefferson County Highway Department wishes to purchase a Trailer Mounted Drum Style Brush Chipper equipped with the following:

~~170 HP Cummins QSB 4.5 Engine~~ CAT C4.4 Tier 3 142 HP Engine

32 gallon fuel tank

Full metal engine enclosure to protect against vandalism

Unit to be equipped with an hour meter, tachometer, ammeter, temp gauge, oil gauge, and ignition key switch all mounted curbside for the operator's protection

Unit weight should be approximately 8900 lbs.

10,000 lb tongue jack with stationary pad

3/8 safety chains

Single 9000 lb axle

16 ply 215/75 R 17.5 tires, solid lug, 8 bolt pattern

4 function LED lights with wires inside frame tube or steel conduit

1450 RPM maximum drum speed

4 replaceable knives double edged and interchangeable

Infeed opening to be at least 56 inches wide and 37 inches high

Parker hydraulic motor with 32 CI displacement minimum for the top feed wheel and 45 CI displacements for the bottom feed wheel.

12 gallon minimum capacity hydraulic tank with ball valve at the outlet

Also a Winch

2013 Morbark M15R
2 Hours
Machine Is At Fenton Yard

Alternate Bid:

Total Cost \$ 49,500

Less Trade in for a 2003 BC 1400 Vermeer Chipper with approximately 1537 hours

Vin # 1VRU16144221000132

\$ 7,000
Net price \$ 42,500

Delivery to be included to the Jefferson County Highway Department West Shed located at Highway B and Butcher Branch Road in Hillsboro, MO.



☆ Alternate Bid ☆

New Unit We Have
In Stock

Quote 111732-01

November 3, 2014

JEFFERSON COUNTY HIGHWAY DEP
729 MAPLE ST
HILLSBORO
MISSOURI
63050-0100

THANK YOU FOR THIS OPPORTUNITY TO QUOTE CATERPILLAR PRODUCTS FOR YOUR BUSINESS NEEDS.
WE ARE PLEASED TO QUOTE THE FOLLOWING FOR YOUR PURCHASE CONSIDERATION.

ONE (1) NEW MORBARK MODEL: M15R ALLIED PRODUCTS WITH ALL STANDARD EQUIPMENT
IN ADDITION TO THE ADDITIONAL SPECIFICATIONS LISTED BELOW:

STOCK NUMBER: M12861
SMU: 2

SERIAL NUMBER: 4S8SZ161XDW025330

YEAR: 2013

THANK YOU FOR YOUR INTEREST IN FABICK CAT AND CATERPILLAR PRODUCTS FOR YOUR BUSINESS
NEEDS. THIS QUOTATION IS VALID FOR 30 DAYS, AFTER WHICH TIME WE RESERVE THE RIGHT TO
RE-QUOTE. IF THERE ARE ANY QUESTIONS, PLEASE DO NOT HESITATE TO CONTACT ME.

SINCERELY,

MATT JUNDT
MACHINE SALES REPRESENTATIVE
FABICK CAT

MACHINE SPECIFICATIONS

Description

Reference No

MORBARK BEEVER M15R CHIPPER
15" CHIPPING CAPACITY
30" DIAMETER X 23-3/4" WIDE
4 KNIFE STAGGERED KNIFE POCKE
DRUM W/PATENTED EZ DRUM
REMOVABLE KNIFE HOLDERS AND
VORTEX CHAMBERED AIR IMPELLER
SYSTEM.
9000# TORFLEX SUSP AXLE
ELECTRIC BRAKES and BREAK-AWAY
ACTUATOR W/215/75R X 17.5"
16 PLY RADIAL TIRES and RIMS.
CAT C4.4 TIER 3 142 HP
ENG S/N 44419709
ELECTRONIC DIESEL ENG. WITH
WPT CLUTCH.
WINCH PKG. 5000# PULL CAPACITY
W/ROPE and 10' CHAFE GUARD

Sell Price	\$49,500.00
Less Gross Trade Allowance	(\$7,000.00)
After Tax Balance	\$42,500.00

TRADE-INS

Model	Make	Serial Number	Year	Trade Allowance
BC 1400	VERMEER (VR)	1VRU16144221 000132	2003	\$7,000.00

WARRANTY

Standard Warranty: Morbark Manuf. Components 2 Year/3000 Hours-whichever comes first. Vendor Purchased Components 1 Yr

F.O.B/TERMS

Jefferson County, MO

Accepted by _____ on _____

Signature



JEFFERSON COUNTY
DEPARTMENT OF ADMINISTRATIVE SERVICES
 729 MAPLE ST / PO BOX 100
 HILLSBORO MO 63050
 WWW.JEFFCOMO.ORG

Invitation for Bid: BRUSH CHIPPER 2014

Date Issued: 10-3-14

BIDS SHALL BE ACCEPTED UNTIL: TUESDAY, NOVEMBER 4, 2014, AT 2:00 P.M. LOCAL TIME.

**Specification
 Contact:**

DAVID MIKUSCH
 Department of Fleet
 636-797-6017
 dmikusch@jeffcomo.org

**Contract
 Contact:**

VICKIE PRATT
 Department of Administrative Services
 636-797-5380

**Mail (3) Three
 Complete Copies
 With Vendor And
 Bid Information As
 Shown In Sample:**

SAMPLE ENVELOPE

VENDOR NAME

VENDOR ADDRESS

CONTACT NUMBER

**DEPARTMENT OF THE COUNTY CLERK
 JEFFERSON COUNTY MISSOURI
 729 MAPLE ST / PO BOX 100
 HILLSBORO MO 63050-0100**

SEALED BID: (*BID NAME*)

**Contract Term:
 UPON APPROVAL OF THE
 COUNTY COUNCIL AND
 COUNTY EXECUTIVE**

The undersigned certifies that he/she has the authority to bind this company in an agreement/contract to supply the commodity or service in accordance with all terms, conditions, and pricing specified. This Bid, if accepted, will constitute an Agreement and Contract with Jefferson County, Missouri, upon approval of the County Council and County Executive. Prices are firm during this agreement term, unless agreed upon in writing by the County. The County has the option to renew this agreement at the same terms and conditions as the original agreement for one additional one-year term with the written consent of the successful Bidder. Price increases for renewals are not authorized unless approved in writing by the County.

**Vendor
 Information:**

John Fabick Tractor Co.	Matt Jundt
Company Name	Authorized Agent (Print)
One Fabick Drive	<i>[Signature]</i>
Address	Signature
Fenton/MO/63026	Territory Mgr
City/State/Zip Code	Title
314 607 3266	11/4/14
Telephone #	Date
43-0263380	Tax ID #
636-680-1550	Fax #
E-mail	
matt.jundt@fabickcat.com	



Quote 111728-01

November 3, 2014

JEFFERSON COUNTY HIGHWAY DEP
729 MAPLE ST
HILLSBORO
MISSOURI
63050-0100

THANK YOU FOR THIS OPPORTUNITY TO QUOTE CATERPILLAR PRODUCTS FOR YOUR BUSINESS NEEDS. WE ARE PLEASED TO QUOTE THE FOLLOWING FOR YOUR PURCHASE CONSIDERATION.

ONE (1) NEW 2015 Morbark M15R WITH ALL STANDARD EQUIPMENT IN ADDITION TO THE ADDITIONAL SPECIFICATIONS LISTED BELOW:

THANK YOU FOR YOUR INTEREST IN FABICK CAT AND CATERPILLAR PRODUCTS FOR YOUR BUSINESS NEEDS. THIS QUOTATION IS VALID FOR 30 DAYS, AFTER WHICH TIME WE RESERVE THE RIGHT TO RE-QUOTE. IF THERE ARE ANY QUESTIONS, PLEASE DO NOT HESITATE TO CONTACT ME.

SINCERELY,

MATT JUNDT
MACHINE SALES REPRESENTATIVE
FABICK CAT

MACHINE SPECIFICATIONS

Description	Reference No
2015 MORBARK BEEVER? M15R	
15" chipping capacity	
Morthane Paint System	
56" wide x 37" high rigid infeed chute with 20" wide x 15" high throat opening	
Dual horizontal feed wheels with TorqMax top feed wheel compression system	
Reversing automatic feed system	
30" diameter x 23-3/4" wide four (4) knife staggered knife pocket drum	
32-gallon lockable fuel tank	
12-gallon lockable hydraulic reservoir	
Live hydraulic system	
360 degree manual crank, height-adjustable, swivel discharge chute	
8.2#, 6" channel frame rails with 2" x 6" tubular steel frame	
3" x 5" tubular steel telescoping drawbar with 2-1/2" pintle ring	
9000# Torflex suspension axle, electric brakes 215/75R x 17.5", 16-ply radial tires	
10,000# tongue jack with stationary foot pad	
Lockable steel combination tool and battery box 1400CCA battery	
Registration and operator guide holder	
Complete set of manuals including: Parts, Safety and Operator's Manual	
Enclosed engine with gauge panel, radiator fines screen	
Trailer wiring package, 7-pin flat electrical connector, LED Lamps, License holder with light	
Extended tail light mounts	
Cummins QSB4.5, Tier 3 Flex, 170-HP Diesel Engine	
Discharge clean-out door (BOTTOM)	

Sell Price	\$55,500.00
Less Gross Trade Allowance	(\$7,000.00)
After Tax Balance	\$48,500.00

TRADE-INS

Model	Make	Serial Number	Year	Trade Allowance
BC 1400	VERMEER (VR)	1VRU16144221 000132	2003	\$7,000.00

WARRANTY

Standard Warranty: Morbark Manuf. Components 2 Year/3000 Hours-whichever comes first. Vendor Purchased Components 1 Yr

F.O.B/TERMS

Jefferson County

Accepted by _____ on _____

Signature



JEFFERSON COUNTY
DEPARTMENT OF ADMINISTRATIVE SERVICES
 729 MAPLE ST / PO BOX 100
 HILLSBORO MO 63050
 WWW.JEFFCOMO.ORG

Invitation for Bid: BRUSH CHIPPER 2014

Date Issued: 10-3-14

BIDS SHALL BE ACCEPTED UNTIL: TUESDAY, NOVEMBER 4, 2014, AT 2:00 P.M. LOCAL TIME.

Specification

Contact:

DAVID MIKUSCH
 Department of Fleet
 636-797-6017
 dmikusch@jeffcomo.org

Contract

Contact:

VICKIE PRATT
 Department of Administrative Services
 636-797-5380

**Mail (3) Three
 Complete Copies
 With Vendor And
 Bid Information As
 Shown In Sample:**

SAMPLE ENVELOPE

<i>VENDOR NAME</i>	
<i>VENDOR ADDRESS</i>	
<i>CONTACT NUMBER</i>	DEPARTMENT OF THE COUNTY CLERK
	JEFFERSON COUNTY MISSOURI
	729 MAPLE ST / PO BOX 100
	HILLSBORO MO 63050-0100
SEALED BID: (<i>BID NAME</i>)	

Contract Term:
 UPON APPROVAL OF THE
 COUNTY COUNCIL AND
 COUNTY EXECUTIVE

The undersigned certifies that he/she has the authority to bind this company in an agreement/contract to supply the commodity or service in accordance with all terms, conditions, and pricing specified. This Bid, if accepted, will constitute an Agreement and Contract with Jefferson County, Missouri, upon approval of the County Council and County Executive. Prices are firm during this agreement term, unless agreed upon in writing by the County. The County has the option to renew this agreement at the same terms and conditions as the original agreement for one additional one-year term with the written consent of the successful Bidder. Price increases for renewals are not authorized unless approved in writing by the County.

**Vendor
 Information:**

<u>Woody's Municipal</u>	<u>Steve Stahlhut</u>
Company Name	Authorized Agent (Print)
<u>3979 Blackburn Road</u>	<u>[Signature]</u>
Address	Signature
<u>Edwardsville IL 62025</u>	<u>Sales Manager</u>
City/State/Zip Code	Title
<u>800-223-2466</u>	<u>10-31-14</u>
Telephone #	Date
<u>stahl@wildblue.net</u>	<u>370988030</u>
E-mail	Tax ID #
	<u>618-656-6105</u>
	Fax #

SPECIFICATIONS

Bid Request:

The Jefferson County Highway Department wishes to purchase a Trailer Mounted Drum Style Brush Chipper equipped with the following:

- 170 HP Cummins OSB 4.5 Engine 138 HP Caterpillar
- 32 gallon fuel tank 45 Gallon
- Full metal engine enclosure to protect against vandalism yes
- Unit to be equipped with an hour meter, tachometer, ammeter, temp gauge, oil gauge, and ignition key switch all mounted curbside for the operator's protection yes
- Unit weight should be approximately 8900 lbs. 7200 lbs
- 10,000 lb tongue jack with stationary pad yes
- 3/8 safety chains yes
- Single 9000 lb axle 8000 lb
- 16 ply 215/75 R 17.5 tires, solid lug, 8 bolt pattern LT 265/75 R 16 16ply
- 4 function LED lights with wires inside frame tube or steel conduit 2 LED Stop, turn, tail lights
- 1450 RPM maximum drum speed
- 4 replaceable knives double edged and interchangeable yes
- Infeed opening to be at least 56 inches wide and 37 inches high 60" x 30"
- Parker hydraulic motor with 32 CI displacement minimum for the top feed wheel and 45 CI displacements for the bottom feed wheel. Single feed roll
- 12 gallon minimum capacity hydraulic tank with ball valve at the outlet 17 Gallon

Total Cost \$ 47,334.00

Less Trade in for a 2003 BC 1400 Vermeer Chipper with approximately 1537 hours

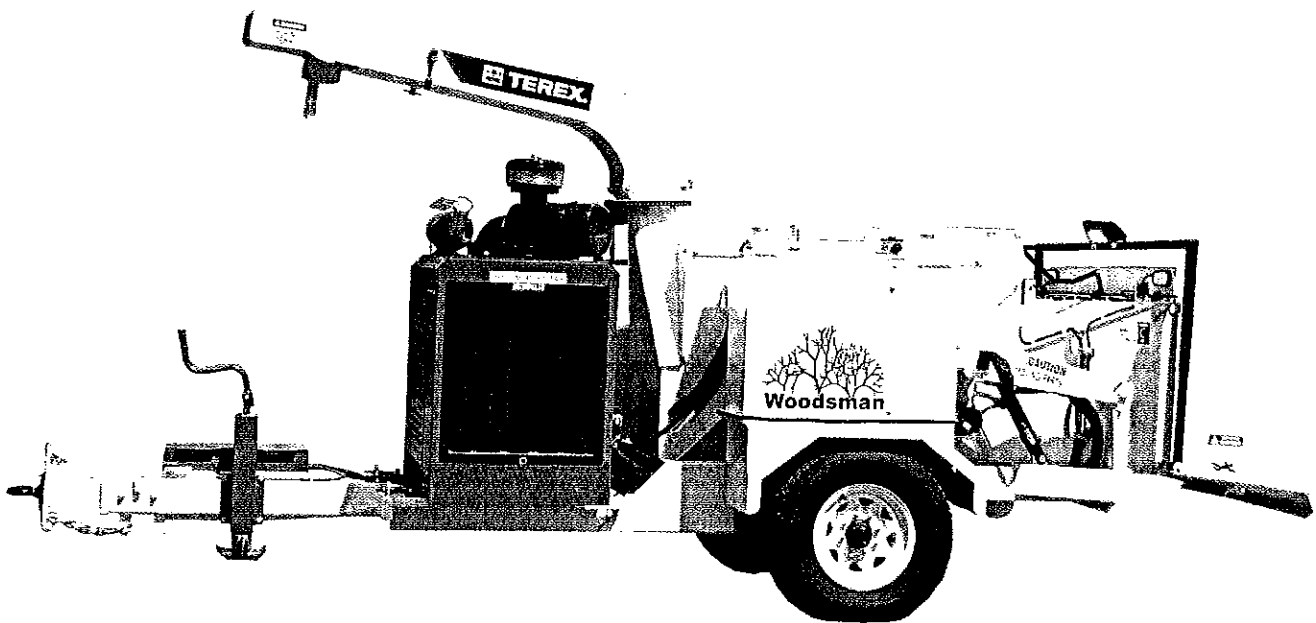
Vin # 1VRU16144221000132

\$ 8,000.00

Net price \$ 39,334.00

Delivery to be included to the Jefferson County Highway Department West Shed located at Highway B and Butcher Branch Road in Hillsboro, MO.

ENVIRONMENTAL BRUSH CHIPPER



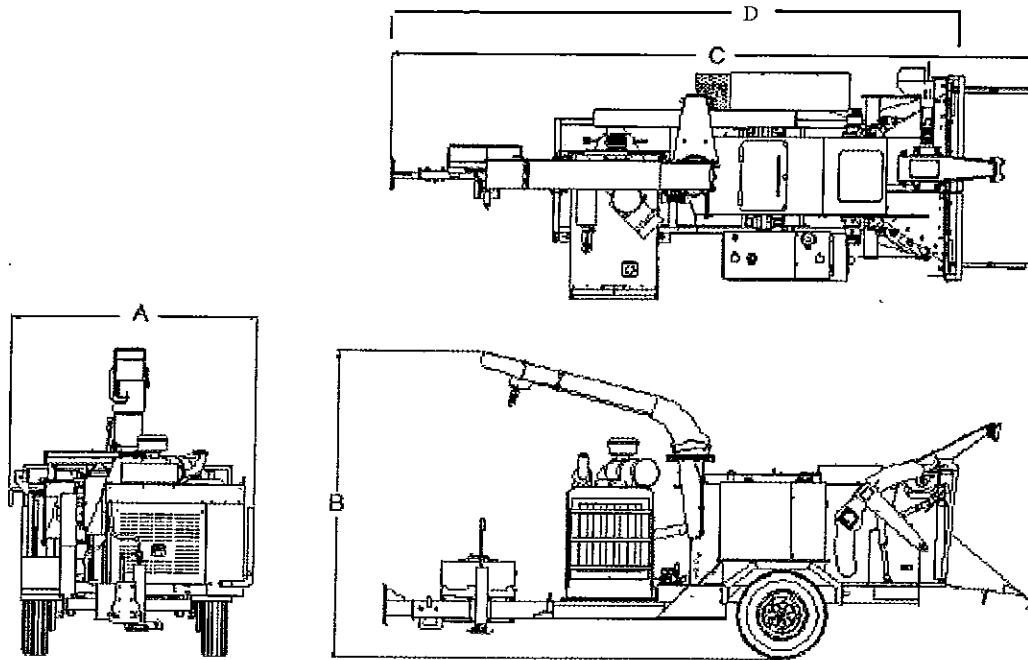
Specification

Operating weight	7,200 lbs. (2,359kg)
Chipping capacity	15" (33 cm)
Gross engine power	99-140 hp (63-74 kw)
Engine options	Caterpillar - John Deere

Features

- ▶ 24" wide by 37" diameter full pocket cutting drum
- ▶ 15" high by 24" wide chipper opening
- ▶ Programmable reverse auto feed governor
- ▶ Hydraulic lift and crush on feed wheel
- ▶ Telescoping tongue
- ▶ 360 degree hand crank swivel discharge
- ▶ 10,000 lbs. drop leg jack

WORKS FOR YOU.™



DIMENSIONS

A Overall Width	72" (183cm)
B Overall Height	102" (259cm)
C Overall Length	206" (523cm)
D Transport Length	176" (447cm)
Weight	7200lbs. (3,258kg)

STANDARD / OPTIONAL EQUIPMENT

	Standard	Optional
Full pocket Knife Drum	X	
Staggered Knife Drum		X
Chute Turn	Hand Crank	Hydraulic Turn
Lift and crush	X	
Emergency stops on infeed sides	X	X
Drum Access Door	Three bolts	Three bolts/ E stop switch
Vandal Protection Package - Lockable Instrument Cover	X	
Hydraulic Winch		X
P/Tech electronic clutch		X
Hydraulic front jack		X
Front Radiator Gard		X
Height Adjustable Chute	3 position/ with tools	Turnbuckle adjustable
Strobe Light		X

www.terexwoodsman.com

Product specifications and prices are subject to change without notice or obligation. The photographs and/or drawings in this document are for illustrative purposes only. Refer to the appropriate Operator's Manual for instructions on the proper use of this equipment. Failure to follow the appropriate Operator's Manual when using our equipment or to otherwise act irresponsibly may result in serious injury or death. The only warranty applicable to our equipment is the standard written warranty applicable to the particular product and sale and Terex makes no other warranty, express or implied. Products and services listed may be trademarks, service marks or trade-names of Terex Corporation and/or its subsidiaries in the USA and other countries. All rights are reserved. Terex is a registered trademark of Terex Corporation in the USA and many other countries.

© 2011 Terex Corporation.

Terex Woodsman
1250 Commerce Drive
Farwell, MI 48622 USA
Tel +1 (989) 588-4295
terexwoodsman.sales@terex.com



WORKS FOR YOU.™

BID SPECIFICATIONS

SPECIFICATION FOR PORTABLE HAND-FED BRUSH CHIPPER

WOODSMAN MODEL 750 OR EQUIVALENT

The following specifications describe a hand fed, hydraulically assisted, momentum discharge drum chipper. Unit shall be capable of chipping up to 16" diameter (optional 18" capacity available) and produce a dimensional, landscape quality chip. Unit shall be capable of chipping whole tree material. Maximum feed rate shall be 110 feet per minute.

The complete unit shall comply with applicable requirements of the vehicle Code and OSHA.

	<u>MEETS</u>	<u>DEVIATES</u>
1. Engine		
a. Horsepower 138-HP. John Deere, Cummins and Caterpillar	_____	_____
b. 4G5V drive with power band belt.	_____	_____
d. Single plate overcenter clutch.	_____	_____
 2. Engine Components		
a. Alternator: minimum 60 amp.	_____	_____
b. Battery: Heavy-duty, low maintenance, 900 CCA, with 00 leads, 12 volt.	_____	_____
c. Fuel Filter: Primary and secondary with water separator, spin-on type.	_____	_____
d. Air cleaner: Heavy-duty, two stage with dry cartridge.	_____	_____
e. Oil Filtration System: Full flow, spin-on type.	_____	_____
f. Engine Shut Down System: High engine temperature/low oil pressure.	_____	_____
g. Live hydraulics without engaging the clutch.	_____	_____
h. Auto-feed governing system, with feed wheel brake.	_____	_____
i. Complete engine to be enclosed with lockable sheet metal for vandalism protection.	_____	_____
j. Fuel Tank: 45 gallon minimum with sight gauge.	_____	_____
 3. Electrical		

- a. Four function lights to meet ICC regulations.
- b. All wire to be protected inside of frame or conduit.
- c. All wire to be double insulated and color coded, minimum of 14 gauge wire.
- d. Heavy-duty dust and weather resistant 6-way trailer connectors.

_____	_____
_____	_____
_____	_____
_____	_____

4. Dimensions

- a. Length: 14'8" with folding tailgate.
- b. Height: 8'5"
- c. Width: 6'
- d. Weight: 7,200 lbs. minimum.

_____	_____
_____	_____
_____	_____
_____	_____

5. Trailer

- a. Frame
 - 1. Main frame 2" x 6" x 1/4" rectangular tubing.
 - 2. Main frame extends completely under infeed tray.
 - 3. Service platform and tool box for easy chipper maintenance.
- b. Tongue
 - 1. 2 1/2" diameter lunet ring or 2 5/16" ball hitch.
 - 2. Adjustable height hitch.
 - 3. 3/8" safety chains w/hooks.
 - 4. Heavy duty 10,000 lb. drop leg jack .

_____	_____
_____	_____
_____	_____
_____	_____
_____	_____
_____	_____
_____	_____

6. Axle

- a. Single 8,000 lb. rated axle.
- b. Torflex suspension system.
- c. Tires: LT265/75R16 10 ply
- d. Wheels: Solid dish style 5,000 lb. rating.
- e. Electric brakes.

_____	_____
_____	_____
_____	_____
_____	_____
_____	_____

7. In-feed

- a. Opening at infeed minimum of 60" wide by 30" high..
- b. Drum opening minimum 24" wide by 16" high.
- c. 1/2" infeed floor with 3/8" gussets under feed wheel compression area.
- d. Length from feed wheel to ground level to exceed 88".
- e. Folding in-feed tray 1/4" steel , loading height of 25"

_____	_____
_____	_____
_____	_____
_____	_____
_____	_____

- g. Safety control bar operated from both sides.

8. Chipper Drum

- a. Chipper drum 37" diameter by 24" wide with 3/8" thick plate steel skin. Each pocket must have a full 24" of cut.
- b. Knife pockets: (2) pockets 24" x 8" x 5" deep located 180 degrees apart.
- c. Knife 12" x 5" x 1/2" with 6 - 5/8" diameter holes evenly spaced.
- d. Counter knife: (2) replaceable counter knives used to eliminate wear on chipper drum and improve chip quality.
- e. 2 - 15/16" diameter stress-proof chipper shaft.
- f. (2) 2-15/16" bore, 4 bolt pillow block double roller spherical bearings. Taper lock style (*set screws not acceptable*)
- g. Bearing minimum rating :
 - Basic load - 45,400 lbs.
 - Radial load - 4,792 lbs. and 30,000 life hour service

9. Chipper Housing

- a. Chipper housing 1/4" plate steel walls, 3/8" rolled plate steel belly band, 3/4" gusseted bearing pads.
- b. Chipper housing drop door for anvil adjustment. No need for personnel to enter the feed system area at any time.
- c. 1" x 2" x 25" four-sided, wear resistant anvil.
- d. Easy access service door for knife changes.

10. Discharge Chute

- a. Discharge capable of throwing chips by centrifugal force.
- b. Discharge chute rotated 360 degrees.
- c. Chip deflector adjustable without tools.
- d. Discharge three position height adjustment.
- e. Hinged discharge access door.

11. Feed System

- a. Feed wheel
 - 1. One 14" diameter by 24" wide feed roll with serrated teeth.
 - 2. Hydraulically driven using two 45 cubic inch White hydraulic motors.

- b. Yoke

1. Yoke shall pivot from infeed end of unit. This design eliminates the need for down pressure springs. _____
2. Top and side panels to completely enclose feed wheel travel area to keep operator away from all moving parts. _____
3. Feed wheel yoke can be hydraulically raised to aid in feeding large material from both sides of infeed. _____

12. Hydraulic System

- a. Tank: 17 gallon, vented and lockable with sight gauge. _____
- b. External filter: 10 micron, spin on type. _____
- c. Internal strainer: Stainless wire cloth, #30 mesh. _____
- d. Magnetic plug to clean tank of contamination. _____
- e. Pump: Direct drive Eaton gear pump, 12 GPM. _____
- f. Energy valves, all hoses and fittings must be o'ring face seal style . _____
- g. (1) 208 Energy cylinder for yoke lifting. _____

13. Paint

- a. Baked on powder coat finish. _____
- b. Manufacturer's standard safety yellow, dark green or white. _____
- c. All decals shall meet OSHA/ANSI approved size and color. _____

14. Warranty

- a. One year . _____



JEFFERSON COUNTY
DEPARTMENT OF ADMINISTRATIVE SERVICES
 729 MAPLE ST / PO BOX 100
 HILLSBORO MO 63050
 WWW.JEFFCOMO.ORG

Invitation for Bid: BRUSH CHIPPER 2014

Date Issued: 10-3-14

BIDS SHALL BE ACCEPTED UNTIL: TUESDAY, NOVEMBER 4, 2014, AT 2:00 P.M. LOCAL TIME.

**Specification
 Contact:**

DAVID MIKUSCH
 Department of Fleet
 636-797-6017
 dmikusch@jeffcomo.org

**Contract
 Contact:**

VICKIE PRATT
 Department of Administrative Services
 636-797-5380

COPY

**Mail (3) Three
 Complete Copies
 With Vendor And
 Bid Information As
 Shown In Sample:**

SAMPLE ENVELOPE

<i>VENDOR NAME</i>	
<i>VENDOR ADDRESS</i>	
<i>CONTACT NUMBER</i>	DEPARTMENT OF THE COUNTY CLERK
	JEFFERSON COUNTY MISSOURI
	729 MAPLE ST / PO BOX 100
	HILLSBORO MO 63050-0100
<i>SEALED BID: (BID NAME)</i>	

**Contract Term:
 UPON APPROVAL OF THE
 COUNTY COUNCIL AND
 COUNTY EXECUTIVE**

The undersigned certifies that he/she has the authority to bind this company in an agreement/contract to supply the commodity or service in accordance with all terms, conditions, and pricing specified. This Bid, if accepted, will constitute an Agreement and Contract with Jefferson County, Missouri, upon approval of the County Council and County Executive. Prices are firm during this agreement term, unless agreed upon in writing by the County. The County has the option to renew this agreement at the same terms and conditions as the original agreement for one additional one-year term with the written consent of the successful Bidder. Price increases for renewals are not authorized unless approved in writing by the County.

**Vendor
 Information:**

<i>Vermeer Sales & Service, M.F.</i>	<i>Chad Van Soelen</i>
Company Name	Authorized Agent (Print)
<i>621 Spirit Valley Dr. East</i>	<i>[Signature]</i>
Address	Signature
<i>Chesterfield, MO 63005</i>	<i>General Manager</i>
City/State/Zip Code	Title
<i>636-532-2332</i>	<i>11-4-2014</i>
Telephone #	Date
<i>Chad.VanSoelen@VermeerMidwest.com</i>	<i>93-011-8739</i>
E-mail	Tax ID #
	<i>636-532-8016</i>
	Fax #



Vermeer Sales and Service M.I., Inc.
 621 Spirit Valley East Drive
 Chesterfield, MO 63005
 636-532-2332

CONSUMER RETAIL PURCHASE ORDER AND SECURITY AGREEMENT

November 3, 2014

Reference #: 00176CHTN

PO #:

Bill To:
 Jefferson County
 David Mikusch
 729 maple Street / PO Box 100
 Hillsboro, MO

Ship To:
 Jefferson County
 David Mikusch
 729 maple Street / PO Box 100
 Hillsboro, MO

1 - Vermeer BC1500, New 2014 with:

\$56,000.00

Brush Chipper

- Cummins QSB4.5Turbo Diesel 130hp Tier 4i (Stage IIIB)
- 15" Drum Style Chipper 15" x 20" Throat Capacity
- Ecolde Engine Control system-Automatically lowers engine RPMs if material is not being chipped. Select from 60 seconds, 5 minutes or Off
- Four sided square anvil/bedknife
- Weight 5,825lb
- Transport Length 179"
- Width 86"
- Height 104"
- Fuel Tank 45 gallons
- Hydraulic Tank 12 gallons
- Patented Vermeer Smartfeed System-Monitors engine rpm which automatically stops and reverses feed rollers when engine droops and senses feed roller jams which responds by shifting material back and forth to reduce the need for manual feed bar manipulation
- 52" x 32" Infeed Opening
- Twin Vertical Helical Feed Wheel Rollers - 20" x 21" Each
- 7,000lb Rubber Torsion Axle
- LT 285/75R16 LR E
- Electric Brakes with Breakaway switch
- Low RPM Clutch Engagement System
- 5" x 8" (12.7 cm x 20.3 cm) A8 double-sided knives
- Upper and lower feed stop bar for safety-Bottom feed bar is strategically placed to make it possible for an operators leg to strike the bar and shut off the feed mechanism either intentionally or automatically in an emergency situation -Hydraulic Over Pressure Sensor
- 1yr/1,000hr Vermeer Limited Equipment Warranty
- 3yr/3,000hr Extended Limited Warranty on Drum Housing, Cutter Drums, Shaft and Ring-fetter hubs

COPY

1 - Vermeer BC1400, Used 2002 1537 hours, SN# 1VRU1614421000132 with:

(\$16,500.00)

Initials: _____

Brush Chipper

- Caterpillar DITA 3054 Diesel Tier2 4 Cylinder Engine: 122 hp
- Length: 190"
- Width: 86"
- Weight: 6,580 lbs w/o winch
- Dual Vertical Infeed Rollers
- Infeed Table Opening: 52" x 32"
- Infeed Throat Opening: 14" x 20"
- Fuel Capacity 45 gallons
- Hydraulic Capacity 12 gallons
- 13" Automotive Style Clutch- self adjusting spring loaded for increased productivity.
- Vermeer Standard Bottom Feed Stop Bar w/ 4 position Feed Control Bar

Machine	\$56,000.00
Trade	(\$16,500.00)
Check #	
Total Due	<u>\$39,500.00</u>

Note: Buyer certifies all Trade-Ins are free of encumbrances

Notice

Any holder of this consumer credit contract is subject to all claims and defenses which the debtor could assert against the seller of goods or services obtained pursuant hereto or with the proceeds thereof. Recovery hereunder by the debtor shall not exceed amounts paid by the debtor hereunder.

Until the seller is paid in full for said equipment, buyer shall obtain insurance naming seller as "additional insured" covering all risk of loss, theft or damage on equipment and in the event of any such loss, the proceeds of said insurance shall be paid to and assigned to seller. The buyer shall immediately deliver to the seller, a certificate of insurance indicating the same.

Check any applicable box of the following:

- Sold used as-is
- Sold new with: 1 Year/ 1,000 Hours Parts and Labor Standard Vermeer Limited Warranty
- Extended Warranty:
- Special Agreements:

All warranty repairs made under this agreement must be made in dealer's shop and buyer is responsible for hauling equipment for repair. All warranty parts must be returned within 30 days. No warranty is given by the dealer for tires, batteries or accessories, and the buyer is fully responsible for repairs necessitated by accident, misuse or negligence. This warranty is not transferable.

In the event the equipment described herein is unavailable for any reason beyond the seller's control, the seller shall not be liable for any damages caused to the buyer.

If any sales, use, excise or other tax is not stated correctly herein or is changed by an applicable government authority and effective to this purchase, the amount due hereunder shall be adjusted accordingly.

The equipment purchased herein is hereby pledged to seller as security until the entire purchase has been paid, buyer authorizes seller to file a U.C.C.-1 Financing Statement against the buyer for said equipment, until paid in full.

The parties agree that this is the entire agreement and that no oral representation or agreement has been made which would modify this agreement or be a condition precedent or subsequent to the enforcement of this agreement and that this agreement may not be modified except by a writing signed by each of the parties.

I hereby agree to the conditions of this order, expressed in the foregoing, constituting a purchase order contract. I hereby certify that I am 21 years of age or older and acknowledge receipt of a copy of this order. In order to secure buyer's obligations under this agreement and any extension, renewal or modification thereof, buyer hereby grants to dealer a security interest in all of the goods described herein, and all accessions and additions thereto and all proceeds thereof.

Initials: _____

Reference #: 00176CHTN

Notice to the buyer:

Do not sign this contract before you read it or if it contains blank spaces. You are entitled to a copy of the contract you sign. You have the right to pay in advance the unpaid balance of this contract.

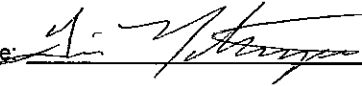
Buyer's signature: _____



Date: _____

By signing this agreement the buyer agrees to above provisions

Salesman signature: _____



Date: 11-4-2024

Hi Tim, you asked me to write a little something about our experience with Vermeer brush chippers so here goes.

Right now we have 19 Vermeer chippers that range from model year 1995 through 2014. Some are 1400's and 1800's and the last 7 we have bought are 1500's. The primary reason we have stayed with Vermeer is that the chippers have lasted us so long. We work them hard, using most of them every single day. They are easy for my mechanics to work on and parts are readily available.

We've demoed other brands in recent years including Bandit and Morbark. Those machines had a number of drawbacks that we were hesitant about. The Bandits are a lot heavier than the Vermeer's and we were concerned about the strain on our trucks. The Morbark's have a lot of exposed hydraulics which would have been a constant problem (mess). We also prefer the Vermeer's side by side feed wheels. When we demoed another brand with horizontal feed wheels it kicked the brush up and down which was dangerous to the person feeding it. The bottom feed stop safety bar gives us and our operators peace of mind while feeding the unit over other brands. Lastly, parts availability is always a concern and we know we can get almost anything we need from Vermeer the same day.

Hope this helps!

P.S. I was at the GIE Expo in Louisville last week and saw Vermeer's new mini-skids. At some point this offseason I'll want to talk to you about them.

Marcus J. Loman

Branch Manager

P: (314) 821-2665 F: (314) 821-4463

www.raystreeservice.com

