

BID TABULATION - DISHWASHER

DISHWASHER BID OPENING 8-4-15	DOUGLAS EQUIPMENT	SAM TELL AND SON INC.	ALL-TYPE VACUUM & JANITORIAL	WECSYS
	301 NORTH ST BLUEFIELD, WV 24701	300 SMITH ST FARMINGDALE NY 11735	10678 TRENTON AVE ST LOUIS MO 63132	8825 XYLON AVE N BROOKLYN PARK, MN 55445
DESCRIPTION OF EQUIPMENT:	CHAMPION UH-230B	HOBERT LXeH-2	CMA DISHMACHINES 180 UC	HOBERT LXeH-2
PROPOSED COST FOR (1) DISHWASHER:	\$4,649.98	\$5,708.00	\$5,500.00	\$6,168.76
PROPOSED COST IF MULTIPLE DISHWASHERS ARE PURCHASED:	\$4,649.98	\$5,708.00	\$5,225.00	\$6,111.11
NOTARIZED WORK AFFIDAVIT COMPLETED	Y	Y	Y	Y
COPY OF INSURANCE PROVIDED	Y	Y	N	Y
TAX RECEIPTS OR NOTARIZED LETTER STATING NO REAL OR PERSONAL PROPERTY OWNED IN JEFFERSON COUNTY	N	N	N	N
COOPERATIVE BID FORM (Y/N)	N	Y	Y	Y
COOPERATIVE CONTACT INFO:	Y	Y	Y	Y
COMPANY INFORMATION AND SIGNATURE	Y	Y	Y	Y
BID DEPOSIT REQUIRED	N/A	N/A	N/A	N/A
COMMENTS:	SEE ATTACHED	SEE ATTACHED	SEE ATTACHED	SEE ATTACHED



JEFFERSON COUNTY
DEPARTMENT OF ADMINISTRATIVE SERVICES
 729 MAPLE ST / PO BOX 100
 HILLSBORO MO 63050
 WWW.JEFFCOMO.ORG

Invitation for Bid: DISHWASHER(S)

Date Issued: 7-1-15

BIDS SHALL BE ACCEPTED UNTIL: TUESDAY, AUGUST 4, 2015, AT 2:00 P.M. LOCAL TIME.

**Specification
 Contact:**

Kristy Moss
 Department of Public Works
 636-797-5569

**Contract
 Contact:**

VICKIE PRATT
 Department of Administrative Services
 636-797-5380

**Mail (3) Three
 Complete Copies
 With Vendor And
 Bid Information As
 Shown In Sample:**

SAMPLE ENVELOPE

<i>VENDOR NAME</i>	
<i>VENDOR ADDRESS</i>	
<i>CONTACT NUMBER</i>	DEPARTMENT OF THE COUNTY CLERK
	JEFFERSON COUNTY MISSOURI
	729 MAPLE ST / PO BOX 100
	HILLSBORO MO 63050-0100
SEALED BID: (<i>BID NAME</i>)	

Contract Term:
 UPON APPROVAL OF THE
 COUNTY COUNCIL AND
 COUNTY EXECUTIVE

The undersigned certifies that he/she has the authority to bind this company in an agreement/contract to supply the commodity or service in accordance with all terms, conditions, and pricing specified. This Bid, if accepted, will constitute an Agreement and Contract with Jefferson County, Missouri, upon approval of the County Council and County Executive. Prices are firm during this agreement term, unless agreed upon in writing by the County. The County has the option to renew this agreement at the same terms and conditions as the original agreement for one additional one-year term with the written consent of the successful Bidder. Price increases for renewals are not authorized unless approved in writing by the County.

**Vendor
 Information:**

<u>Douglas Equipment</u> Company Name	<u>mandy Brown</u> Authorized Agent (Print)
<u>301 North Street</u> Address	<u>Mandy Brown</u> Signature
<u>Bluefield WV 24501</u> City/State/Zip Code	<u>Bid Specialist</u> Title
<u>304-327-0149</u> Telephone #	<u>7/27/15</u> Date
	<u>55-0585890</u> Tax ID #
<u>mandy@douglasequipment.us</u> E-mail	<u>304-325-3848</u> Fax #

Champion®

The Dishwashing Machine Specialists

Project _____
Item No. _____
Quantity _____

UH230B UNDERCOUNTER

STANDARD FEATURES

- ENERGY STAR® Qualified
- NEW "Shear Energy" – a reduction in energy requirements while maximizing performance!
- NEW "Multi-Power" – includes "Multi-Volt" and "Multi-Phase". Allows for infield conversion to 208-240 volt and/or single to three phase with ease.
- StemSure™ – Soft start to protect glasses and dishes from chipping and breaking
- Rinse Sentry – extends the cycle time to ensure 180°F/82°C final rinse.
- Built-in electric booster for 180°F/82°C final rinse water (standard 70°F/39°C rinse)
- Pumped drain
- Low-water tank heat protection
- Detergent and rinse aid pumps
- Quiet double-wall construction
- Door safety switch
- Independent stainless steel interchangeable upper and lower wash and rinse arms
- Top mounted slide-out controls
- Stainless steel top and side panels
- 90-second total cycle time
- Extended wash for difficult ware cleaning & de-liming
- Automatic drain cycle
- 1 Hp motor
- Advanced Digital Temperature Monitoring
- Stainless steel construction

UH230B

Undercounter High Temperature
Dishwashing Machine
with Built-in Booster Heater

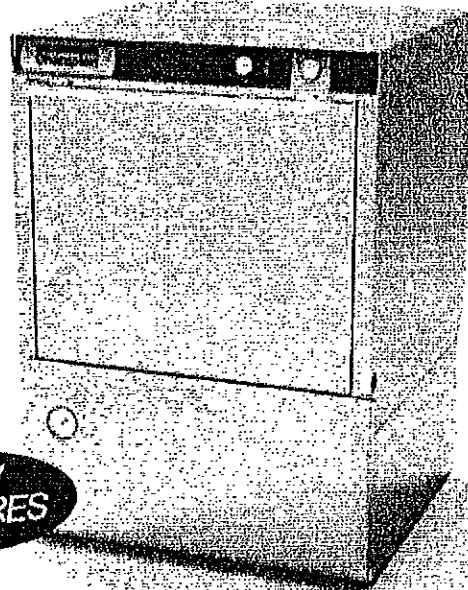


Photo is for general visual representation only. Please refer to specifications for the latest, detailed product information.



SPECIFIER STATEMENT

Specified unit will be Champion model UH230B undercounter high temperature dishwashing machine with built-in booster heater.

Features 90 second total cycle, extended wash, LED temp display, Rinse Sentry, rinse aid and detergent pumps, flexible fill and drain hoses, stainless steel top and side panels. Constructed of stainless steel.

1 year parts and labor warranty.

OPTIONS & ACCESSORIES

: 1-RDT Dish Table Durable, heavy-gauge stainless steel dish table with sink, stand-pipe drain, removable scrap screen holder, drain-board, backplash and lower storage cabinet. Sprayhose is optional. See 1-RDT catalog sheet) Specify right hand or left hand sink.

: Additional Dish Racks

: 17" Stand Stainless Steel

: 6" Leg Stand

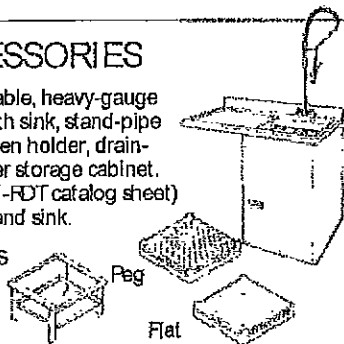
: 3 Phase Connection (prewired at factory)

: 9kW High Speed Rise Booster

: UH230B without Booster

: 1" Roller Kit (includes 4 casters)

: Power Cord kit



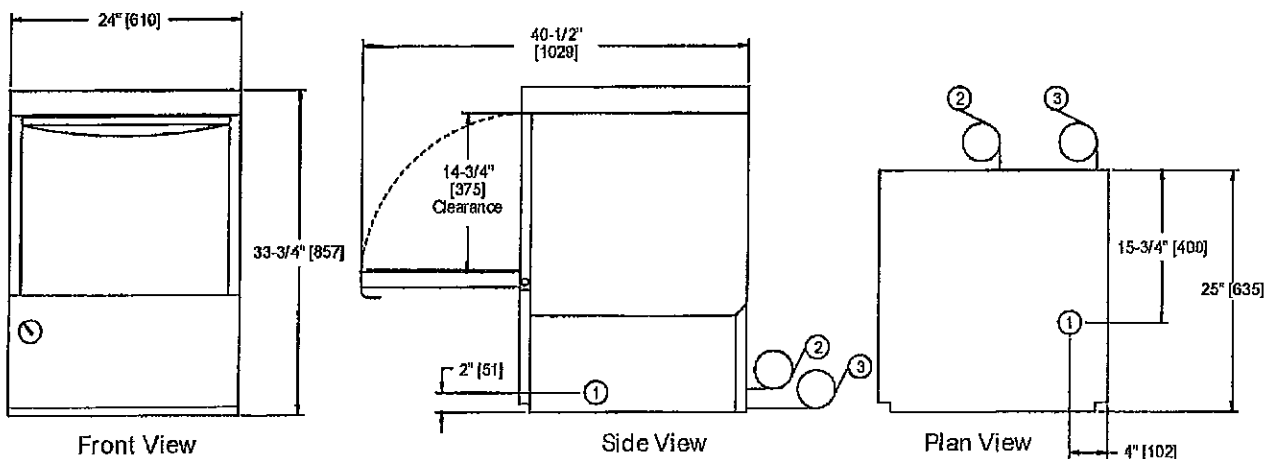
UH230B

Undercounter High Temperature
Dishwashing Machine
with Built-in Booster Heater

Champion[®]
The Dishwashing Machine Specialists

Volume crated: 15 cu. ft./0.42 cu.m.
Shipping weight crated: 215 lbs./97.5 kg.

Dimensions shown in Inches and (millimeters)



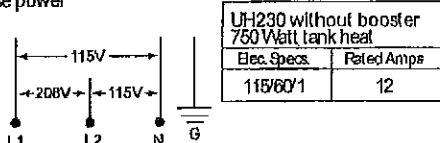
Utilities	
1	Electrical 208-240/60/1; 3 wire plus ground, (See Box). 208-240/60/3; 4 wire plus ground, (See Box). Field convertible to accept 3 phase power, see service manual for details
2	Hot Water 1/2" supply; 110°F/43°C Min. hot water connection for 70°F/39°C rise booster. Incoming supply pressure must maintain a flow pressure of 20-22 PSI. If machine is sold without internal booster, a 1/2" FRV's required to be purchased. Machine equipped with 3/4" [19] hose connector.
3	Pumped Drain 5/8" [15.9] I.D. flexible reinforced hose, 6 ft. [1829] long. Max. drain flow 15 US gpm. [12.5 imp gal] Max. drain height 3 ft. [914]

SPECIFICATIONS	
Capacities*	
Cycle time (seconds)	90
Racks per hr.	40
Motor horsepower	
Wash	1
Water consumption	
U.S. Gal./Imperial Gal. (Max. use) per hr.	23.4/19.2
U.S. Gal./Imperial Gal. per rack	0.78/0.64
Temperatures °F/°C	
Wash	150/66
Rinse	180/82
Heating	
Tank heat, electric, kW	2.0
Electric booster (kW) (required for 70°F/39°C rise)	6
Electric high speed booster (kW)	9
Time Cycle in Seconds	
Wash	70
Rinse	14
Total cycle	90
Standard 20" x 20" [508 x 508]	
Rack Complement	
Dish	1
Open	1
* at 140° incoming water	

6kW UH230B with 70°F/39°C Rise Booster				UH230B with 9kW High Speed Booster			
Elec. Specs.	Rated Amps	Minimum Supply Ckt. Conductor Ampacity	Maximum Overcurrent Protective Device	Elec. Specs.	Rated Amps	Minimum Supply Ckt. Conductor Ampacity	Maximum Overcurrent Protective Device
208/60/1	32	40	40	208/60/1	45	60	60
240/60/1	36	40	40	240/60/1	50	60	60
208/60/3	22	30	30	208/60/3	29	35	35
240/60/3	24	30	30	240/60/3	33	40	40

Field convertible to accept 3 phase power

Warning Plumbing and electrical connections should be made by qualified personnel who will observe all the applicable plumbing, sanitary and safety codes and the National Electrical Code.



Note: Electrical supply service must be a 3-wire plus ground for connection shown.



JEFFERSON COUNTY
DEPARTMENT OF ADMINISTRATIVE SERVICES
 729 MAPLE ST / PO BOX 100
 HILLSBORO MO 63050
 WWW.JEFFCOMO.ORG

Invitation for Bid: DISHWASHER(S)

Date Issued: 7-1-15

BIDS SHALL BE ACCEPTED UNTIL: TUESDAY, AUGUST 4, 2015, AT 2:00 P.M. LOCAL TIME.

**Specification
 Contact:**

Kristy Moss
 Department of Public Works
 636-797-5569

**Contract
 Contact:**

VICKIE PRATT
 Department of Administrative Services
 636-797-5380

**Mail (3) Three
 Complete Copies
 With Vendor And
 Bid Information As
 Shown In Sample:**

SAMPLE ENVELOPE

VENDOR NAME	
VENDOR ADDRESS	
CONTACT NUMBER	DEPARTMENT OF THE COUNTY CLERK
	JEFFERSON COUNTY MISSOURI
	729 MAPLE ST / PO BOX 100
	HILLSBORO MO 63050-0100
SEALED BID: (BID NAME)	

Contract Term:
 UPON APPROVAL OF THE
 COUNTY COUNCIL AND
 COUNTY EXECUTIVE

The undersigned certifies that he/she has the authority to bind this company in an agreement/contract to supply the commodity or service in accordance with all terms, conditions, and pricing specified. This Bid, if accepted, will constitute an Agreement and Contract with Jefferson County, Missouri, upon approval of the County Council and County Executive. Prices are firm during this agreement term, unless agreed upon in writing by the County. The County has the option to renew this agreement at the same terms and conditions as the original agreement for one additional one-year term with the written consent of the successful Bidder. Price increases for renewals are not authorized unless approved in writing by the County.

**Vendor
 Information:**

Company Name	SAM TELL AND SON INC.	<i>Marc Tell</i>	Authorized Agent (Print)
Address	300 SMITH STREET FARMINGDALE, NY 11735	<i>M Tell</i>	Signature
City/State/Zip Code		<i>President</i>	Title
Telephone #	631 501 9700	7/14/2015	Date
E-mail	fsmi@ow@samtell.com	132526262	Tax ID #
		631 501 9709	Fax #

SAM TELL COMPANIES

DESIGN BUILD SUPPLY


Quote

07/23/2015

Project:
Jefferso County

From:
The Sam Tell Companies
Craig Spear
300 Smith Street
Farmingdale, NY 11735-1114
(631)501-9700
(631)501-9700 1160 (Contact)

Job Reference Number: 3069

Item	Qty	Description	Sell	Sell Total
1	1 ea	DISHWASHER, UNDERCOUNTER Hobart Model No. LXEH-2 LXe Dishwasher, undercounter, 23-15/16"W x 23-9/16"D x 32-1/2"H, high temperature sanitizing, (32) racks/hr, fresh water rinse, .74 gal/rack, delime notification, auto chemical priming, service diagnostics, detergent & rinse aid pump, 120/208-240(3W)/60/1-ph, 30.5 amps, cULus, NSF, ENERGY STAR® 	\$5,708.00	\$5,708.00
	1 ea	Standard warranty - 1-Year parts, labor & travel time during normal working hours		
Total				\$5,708.00

Acceptance: _____ Date: _____

Printed Name: _____

Project Grand Total: \$5,708.00



JEFFERSON COUNTY
DEPARTMENT OF ADMINISTRATIVE SERVICES
 729 MAPLE ST / PO BOX 100
 HILLSBORO MO 63050
 WWW.JEFFCOMO.ORG

Invitation for Bid: DISHWASHER(S)

Date Issued: 7-1-15

BIDS SHALL BE ACCEPTED UNTIL: TUESDAY, AUGUST 4, 2015, AT 2:00 P.M. LOCAL TIME.

**Specification
 Contact:**

Kristy Moss
 Department of Public Works
 636-797-5569

**Contract
 Contact:**

VICKIE PRATT
 Department of Administrative Services
 636-797-5380

**Mail (3) Three
 Complete Copies
 With Vendor And
 Bid Information As
 Shown In Sample:**

SAMPLE ENVELOPE

<i>VENDOR NAME</i>	
<i>VENDOR ADDRESS</i>	
<i>CONTACT NUMBER</i>	
	DEPARTMENT OF THE COUNTY CLERK
	JEFFERSON COUNTY MISSOURI
	729 MAPLE ST / PO BOX 100
	HILLSBORO MO 63050-0100
SEALED BID: (BID NAME)	

**Contract Term:
 UPON APPROVAL OF THE
 COUNTY COUNCIL AND
 COUNTY EXECUTIVE**

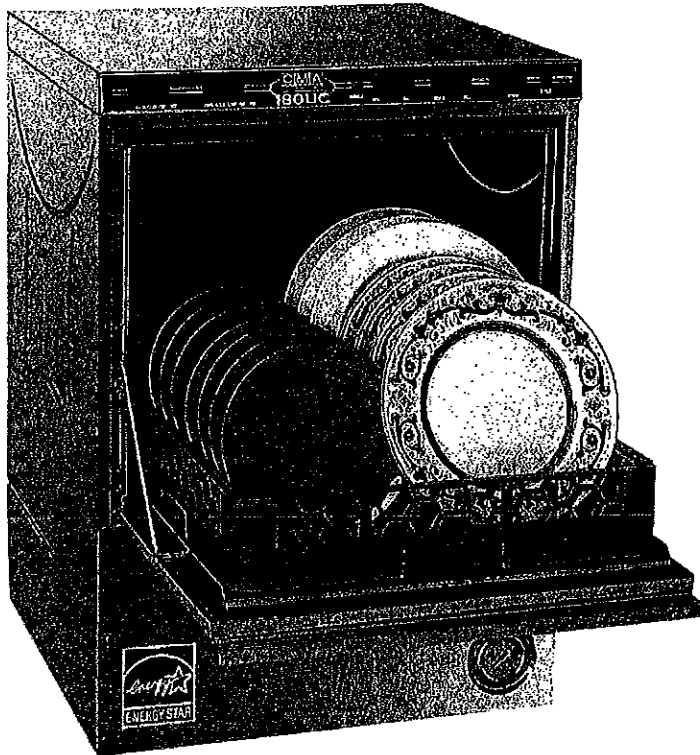
The undersigned certifies that he/she has the authority to bind this company in an agreement/contract to supply the commodity or service in accordance with all terms, conditions, and pricing specified. This Bid, if accepted, will constitute an Agreement and Contract with Jefferson County, Missouri, upon approval of the County Council and County Executive. Prices are firm during this agreement term, unless agreed upon in writing by the County. The County has the option to renew this agreement at the same terms and conditions as the original agreement for one additional one-year term with the written consent of the successful Bidder. Price increases for renewals are not authorized unless approved in writing by the County.

**Vendor
 Information:**

All-Type Vacuum Janitorial		Brett Marshall	
Company Name	10678 Trenton Ave	Authorized Agent (Print)	<i>[Signature]</i>
Address	St. Louis, MO 63132	Signature	President
City/State/Zip Code	314-427-0634	Date	7/15/15
Telephone #	bretteall-typevacuum.com	Tax ID #	43-1468226
E-mail		Fax #	314-427-0079



180UC
High Temperature
Undercounter Dishwasher



FEATURES:

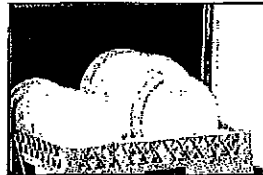
- **Energy Star Qualified.**
- The 2 minute timer includes the built-in, automatic Safe-T-Temp feature, which assures a 180°F sanitizing final rinse, every cycle.
- Patented automatic soil purging system. Filters wash water and traps plate debris in an external drawer. Drawer can be easily removed for dumping contents.
- Upper and lower rotating wash and rinse arms provide excellent cleaning and rinsing.
- All stainless steel construction, no plastic parts to repair.
- Patented built-in booster heater. Economical, single source heat lowers energy costs.
- Large 14-1/2" height clearance accommodates larger dishes and half size sheet pans.
- Low water consumption. Uses only .75 gallons of water per cycle.
- Pumped drain.
- All Stainless Steel wash pump.

Available Options

- 48" Undercounter Dishtable
- Built-in Rinse pump
- Detergent and Rinse Pump
- Stainless Steel Pedestal
- 4/6 Inch legs (4 needed)
- Delimer Switch Kit
- Water Tempering Kit



Top mounted controls are easy to read and simple to operate.



Large 14-1/2" height clearance accommodates larger dishes and half size sheet pans.



Upper and lower rotating wash and rinse arms blast water in all directions for optimum cleaning and rinsing.



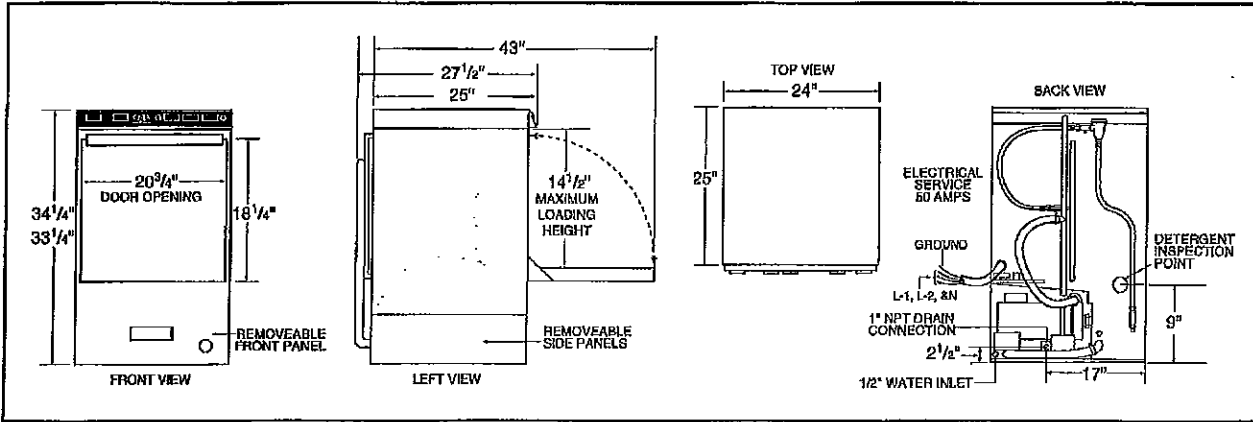
Soil purging system keeps the wash water clean assuring excellent results while reducing chemical costs.





180UC
High Temperature
Undercounter Dishwasher

WARNING: Plumbing connections must be made by a qualified service company who will comply with all available Federal, State, and Local Health, Plumbing and Safety codes.



Specifications:

CMA-180UC	USA	(Metric)	CMA-180UC	USA	(Metric)
WATER CONSUMPTION			FRAME DIMENSIONS		
PER RACK	.75 GAL.	(2.84 L)	DEPTH	25"	(63.5 CM)
PER HOUR	18 GAL.	(68.1 L)	WIDTH	24"	(60.96 CM)
OPERATING CYCLE			HEIGHT	33-1/4"	(84.45 CM)
WASH TIME-SEC	94	94	MAX CLEARANCE FOR DISHES	14-1/2"	(36.8 CM)
RINSE TIME-SEC	16	16	WASH PUMP MOTOR	1 HP	1 HP
DWELL TIME-SEC	10	10	ELECTRICAL RATING	208 VOLTS	230 VOLTS
TOTAL CYCLE TIME	2 MIN.	2 MIN.	1 PH-60 Hz	33.0 AMPS	1 PH-60 Hz
OPERATING CAPACITY			TOTAL AMPS	33.0 AMPS	35.0 AMPS
RACKS PER HOUR	30	30	BOOSTER HEATER KW	5.3 KW	6.5 KW
WASH TANK CAPACITY	2.5 GAL.	(9.46 L)	USE #8 AWG (MIN) 90°C STANDARD COPPER WIRE		
PUMP CAPACITY	38 GPM	(144 LPM)	THIS SYSTEM REQUIRES THREE POWER WIRES (SUPPLIED BY CMA) WHICH INCLUDES A CURRENT CARRYING NEUTRAL. AN ADDITIONAL FOURTH WIRE MUST BE PROVIDED FOR MACHINE GROUND.		
WATER REQUIREMENTS			SHIPPING WEIGHT		
REQUIRED MINIMUM TEMP.*	110°F	(43°C)	APPROXIMATE	234#	(106 KG)
RECOMMENDED TEMP.**	140°F	(60°C)			
WATER INLET	1/2"	(1.27 CM)			
DRAIN CONNECTION	1"	(2.54 CM)			
RINSE PRESSURE SET	20 ± 5PSI	1.41 KG/CM²			
CYCLE TEMPERATURES					
WASH-°F	155° F-160° F	(68.3°C/71°C)			
RINSE-°F	180° F-195° F	(82°C/90°C)			

Summary Specifications: CMA-180UC

The CMA Energy Miser model CMA-180UC undercounter dishwasher provides hot water (180°F) sanitizing through the use of a built-in booster heater. 180°F final rinse safety system ensures proper temperatures in the final rinse by holding wash cycle in run mode until 180°F rinse temperature is detected. The unit comes standard with upper and lower stainless steel wash and final rinse arms, digital LED temperature gauges and easy to operate controls. The CMA-180UC incorporates an automatic soil purging system uniquely designed (patent pending) into the wash tank that enables the wash water to remain clean, assuring excellent results and less chemical use. The CMA-180UC is constructed entirely of stainless steel. Uses standard 20"X20" dishracks and accommodates oversized plates and utensils with a 14-1/2" door clearance.



CMA Dishmachines 12700 Knott Street, Garden Grove, CA 92841 • 800-854-6417 • 714-898-8781 • Fax: 714-895-2141 • www.cmadishmachines.com

CMA reserves the right to modify specifications or discontinue models without prior notification.

RECEIVED JUL 15 2015



JEFFERSON COUNTY
DEPARTMENT OF ADMINISTRATIVE SERVICES
729 MAPLE ST / PO BOX 100
HILLSBORO MO 63050
WWW.JEFFCOMO.ORG

Invitation for Bid: DISHWASHER(S)

Date Issued: 7-1-15

BIDS SHALL BE ACCEPTED UNTIL: TUESDAY, AUGUST 4, 2015, AT 2:00 P.M. LOCAL TIME.

Specification
Contact:

Kristy Moss
Department of Public Works
636-797-5569

Contract
Contact:

VICKIE PRATT
Department of Administrative Services
636-797-5380

Mail (3) Three
Complete Copies
With Vendor And
Bid Information As
Shown In Sample:

SAMPLE ENVELOPE

VENDOR NAME	
VENDOR ADDRESS	
CONTACT NUMBER	DEPARTMENT OF THE COUNTY CLERK
	JEFFERSON COUNTY MISSOURI
	729 MAPLE ST / PO BOX 100
	HILLSBORO MO 63050-0100
SEALED BID: (BID NAME)	

Contract Term:
UPON APPROVAL OF THE
COUNTY COUNCIL AND
COUNTY EXECUTIVE

The undersigned certifies that he/she has the authority to bind this company in an agreement/contract to supply the commodity or service in accordance with all terms, conditions, and pricing specified. This Bid, if accepted, will constitute an Agreement and Contract with Jefferson County, Missouri, upon approval of the County Council and County Executive. Prices are firm during this agreement term, unless agreed upon in writing by the County. The County has the option to renew this agreement at the same terms and conditions as the original agreement for one additional one-year term with the written consent of the successful Bidder. Price increases for renewals are not authorized unless approved in writing by the County.

Vendor
Information:

<u>Wecsys LLC</u>	<u>Steven Munson</u>	
Company Name	Authorized Agent (Print)	
<u>8825 Xylon Ave. N.</u>	<u>[Signature]</u>	
Address	Signature	
<u>Brooklyn Park, MN 55445</u>	<u>Government Contract Specialist</u>	
City/State/Zip Code	Title	
<u>763-504-1069</u>	<u>7/20/15</u>	<u>300574306</u>
Telephone #	Date	Tax ID #
<u>aj@wecsysllc.com</u>	<u>763-504-1062</u>	
E-mail	Fax #	

Quote

WECsys LLC
 8825 Xylon Ave North
 FEIN:300574306/DUNS:836284091
 Brooklyn Park, MN 55445
 Phone: 763-504-1069
 Fax: 763-504-1062

Quote QT-75026
Terms: Net 30 Days
Customer: 1006
PO Number: RFQ7292015



Ship To: OPEN

DEPARTMENT OF THE COUNTY CLERK
 729 MAPLE ST/PO BOX 100
 JEFFERSON COUNTY MISSOURI
 HILLSBORO, MO 63050

Sold To:

DEPARTMENT OF THE COUNTY CLERK
 729 MAPLE ST/PO BOX 100
 JEFFERSON COUNTY MISSOURI
 HILLSBORO, MO 63050

Special Instructions: Please contact 763-504-1069 for order questions. Product returns must be initiated within 30 days of order shipment. Retain all product packaging. Special items are not able to be returned. Thank you for your order!

Cost Center/Department:

Salesperson	Order Date	Order Entry	Ordered By	Route Code
19: Ajayi Akinkuotu	07/29/2015	Naomi Hildahl		Drop Ship

Product Number	# Ord	Description	Unit	Price	Extension	Cont
LXEH-2	1	LXEH-2	EA	6,168.76	6,168.76	

Subtotal: \$6,168.76
Sales Tax: \$0.00
Deposit: \$0.00
Total: \$6,168.76