

BID TABULATION-TRACTOR EQUIPPED WITH BOOM MOWER 2015

<b>TRACTOR EQUIPPED WITH BOOM MOWER 2015 BID OPENING 4-14-15</b>	<b>WM NOBBE &amp; CO. LLC</b>	<b>SCHWEISSGUTH BROS INC.</b>
	12615 STATE RT. A STE. GENEVIEVE, MO 63670	P.O. BOX 7 DUTZOW, MO 63342
<b>TOTAL COST OF TRACTOR: \$</b>	\$58,290.99	\$58,950.00
<b>TOTAL COST OF DIAMOND BOOM MOWER: \$</b>	\$35,704.01	\$27,654.00
TRADE IN SPECIFICATIONS: 2008 John Deere 6430 Premium Tractor, Equipped with Boom Mower Hours: Estimated 5,597 Serial Number: L06430H552555		
<b>TRADE IN VALUE: \$</b>	\$30,000.00	\$21,000.00
NOTARIZED WORK AFFIDAVIT COMPLETED	YES	YES
COPY OF INSURANCE PROVIDED	YES	YES
TAX RECEIPTS OR NOTARIZED LETTER STATING NO REAL OR PERSONAL PROPERTY OWNED IN JEFFERSON COUNTY	YES	YES
COOPERATIVE BID FORM (Y/N)	Y	N
COOPERATIVE CONTACT INFO:	YES	NO
COMPANY INFORMATION AND SIGNATURE	YES	YES
BID DEPOSIT REQUIRED	N/A	N/A
<b>COMMENTS:</b>	SEE ATTACHED FOR DEVIATIONS	PRODUCTION OF THIS TRACTOR IS END DATED. SUBJECT TO AVAILABILITY. ESTIMATED DELIVERY OF 150 DAYS.



**JEFFERSON COUNTY**  
**DEPARTMENT OF ADMINISTRATIVE SERVICES**  
 729 MAPLE ST / PO BOX 100  
 HILLSBORO MO 63050  
 WWW.JEFFCOMO.ORG

**Invitation for Bid: TRACTOR EQUIPPED WITH BOOM MOWER 2015**

**Date Issued: 3-16-15**

BIDS SHALL BE ACCEPTED UNTIL: TUESDAY, APRIL 14, 2015, AT 2:00 P.M. LOCAL TIME.

**Specification  
 Contact:**

**DAVID MIKUSCH**  
 Department of Fleet Services  
 636-797-6017  
 dmikusch@jeffcomo.org

**Contract  
 Contact:**

**VICKIE PRATT**  
 Department of Administrative Services  
 636-797-5380

**Mail (3) Three  
 Complete Copies  
 With Vendor And  
 Bid Information As  
 Shown In Sample:**

**SAMPLE ENVELOPE**

VENDOR NAME	
VENDOR ADDRESS	
CONTACT NUMBER	DEPARTMENT OF THE COUNTY CLERK
	JEFFERSON COUNTY MISSOURI
	729 MAPLE ST / PO BOX 100
	HILLSBORO MO 63050-0100
SEALED BID: (BID NAME)	

**Contract Term:**  
 UPON APPROVAL OF THE  
 COUNTY COUNCIL AND  
 COUNTY EXECUTIVE

The undersigned certifies that he/she has the authority to bind this company in an agreement/contract to supply the commodity or service in accordance with all terms, conditions, and pricing specified. This Bid, if accepted, will constitute an Agreement and Contract with Jefferson County, Missouri, upon approval of the County Council and County Executive. Prices are firm during this agreement term, unless agreed upon in writing by the County. The County has the option to renew this agreement at the same terms and conditions as the original agreement for one additional one-year term with the written consent of the successful Bidder. Price increases for renewals are not authorized unless approved in writing by the County.

**Vendor  
 Information:**

<u>SCHWEISSGUTH BAOS FNC</u>	<u>BURT SCHWEISSGUTH</u>	
Company Name	Authorized Agent (Print)	
<u>P.O. Box 7</u>	<u>Burt Schweissguth</u>	
Address	Signature	
<u>DUTZOW, MO 63342</u>	<u>Comp Sec.</u>	
City/State/Zip Code	Title	
<u>636-435-2256</u>	<u>4/16/15</u>	<u>430097392700</u>
Telephone #	Date	Tax ID #
<u>BSCHEISSGUTH@AMCO.COM</u>	<u>636-435-5125</u>	
E-mail	Fax #	

SPECIFICATIONS

2015 TRACTOR EQUIPPED WITH BOOM MOWER

GENERAL SPECIFICATIONS

The purpose of this bid is to purchase one (1) Tractor equipped with a Diamond Boom Mower for use by the Jefferson County Highway Department, and to trade in one (1) used tractor equipped with boom mower.

TRACTOR SPECIFICATIONS:

John Deere 6105M cab tractor to include all standard features, plus these options:

6105M	Cab tractor w/ standard features
0512	Standard cab plus
1437	Power Quad Plus 16F/16R transmission
6022	Adjustable 2WD front axle
6151	16 front tires 10 ply
5190	18.4 R 30 rear tires
8247	Deluxe radio
878J	Vandal protection package
8725	Beacon light
8782	Backup alarm
DLRI	Block heater
AL204297	Backrest extension, telescopic

\*\* Tractor must have rear mount PTO driven pump and must have 8 lug 8 position rear wheels, not rock and pinion.

\*\* Left rear tire should also be filled with calcium chloride.

TOTAL COST OF TRACTOR

\$ 58,950<sup>00</sup>

*PRODUCTION OF THIS TRACTOR IS END DATED.*

*SUBJECT TO AVAILABILITY FROM FACTORY AT TIME OF ORDER.*

*BA*

	HYDRAULIC CYLINDERS	Yes	Comply Yes / No	Explain Deviations
	All cylinders are heavy duty industrial type, nitro steel rod welded, and all cylinder mountings will have replaceable, hardened bushings, of the grease-able type.	✓		
	Secondary boom cylinder will have a spherical bearing on the rod end.	✓		
	Hydraulic lift cylinders will be mounted on the top of the boom arms.	✓		
	Boom will have (2) double acting hydraulic cylinders, and (1) single acting hydraulic cylinder with accumulator.	✓		

	CABLE CONTROLS	Yes	Comply Yes / No	Explain Deviations
	Lift control valves will be (4) tapered spools of the metering type, equipped with (6) pilot pressure reliefs. Note: optional (5) tapered spools, of the metering type, equipped with (6) pilot pressure reliefs.	✓		

TOTAL COST OF DIAMOND BOOM MOWER \$ 27,654<sup>00</sup>

SUB TOTAL \$ 86,604<sup>00</sup>

**TRADE IN SPECIFICATIONS:**

2008 John Deere 6430 Premium Tractor, equipped with boom mower  
 Hours: estimated 5,597  
 Serial Number: L06430H552555

TRADE IN VALUE \$ 21000<sup>00</sup>

TRADE DIFFERENCE \$ 65,604<sup>00</sup>

New tractor and boom mower to be delivered to Jefferson County Highway Department in Hillsboro, MO.

*ESTIMATED DELIVERY, 150 DAYS ARO.*



**JEFFERSON COUNTY**  
**DEPARTMENT OF ADMINISTRATIVE SERVICES**  
 729 MAPLE ST / PO BOX 100  
 HILLSBORO MO 63050  
 WWW.JEFFCOMO.ORG

**Invitation for Bid: TRACTOR EQUIPPED WITH BOOM MOWER 2015**

**Date Issued: 3-16-15**

BIDS SHALL BE ACCEPTED UNTIL: TUESDAY, APRIL 14, 2015, AT 2:00 P.M. LOCAL TIME.

**Specification Contact:** **DAVID MIKUSCH**  
 Department of Fleet Services  
 636-797-6017  
 dmikusch@jeffcomo.org

**Contract Contact:** **VICKIE PRATT**  
 Department of Administrative Services  
 636-797-5380

**SAMPLE ENVELOPE**

**Mail (3) Three Complete Copies With Vendor And Bid Information As Shown In Sample:**

VENDOR NAME	
VENDOR ADDRESS	
CONTACT NUMBER	DEPARTMENT OF THE COUNTY CLERK
	JEFFERSON COUNTY MISSOURI
	729 MAPLE ST / PO BOX 100
	HILLSBORO MO 63050-0100
SEALED BID: (BID NAME)	

**Contract Term:**  
 UPON APPROVAL OF THE COUNTY COUNCIL AND COUNTY EXECUTIVE

The undersigned certifies that he/she has the authority to bind this company in an agreement/contract to supply the commodity or service in accordance with all terms, conditions, and pricing specified. This Bid, if accepted, will constitute an Agreement and Contract with Jefferson County, Missouri, upon approval of the County Council and County Executive. Prices are firm during this agreement term, unless agreed upon in writing by the County. The County has the option to renew this agreement at the same terms and conditions as the original agreement for one additional one-year term with the written consent of the successful Bidder. Price increases for renewals are not authorized unless approved in writing by the County.

**Vendor Information:**

Wm. Nobbe & Co.	James M. Wesbecher
Company Name	Authorized Agent (Print)
12615 STATE RT. A	<i>[Signature]</i>
Address	Signature
STE. BENEVIEUE MO. 63670	SALES
City/State/Zip Code	Title
800-316-5703	4/11/2015 39-0441750
Telephone #	Date Tax ID #
j.wesbecher@wmnobbe.com	573-883-5368
E-mail	Fax #

**DIAMOND BOOM MOWER SPECIFICATIONS:**

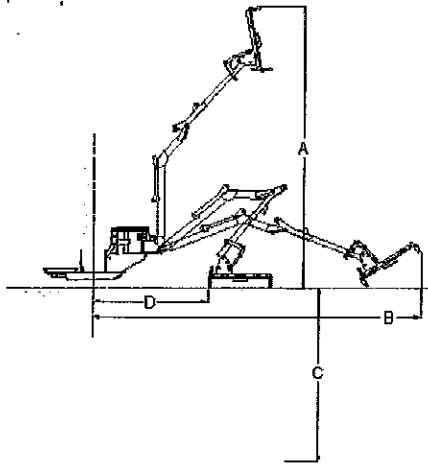
	<b>SAFETY SPECIFICATIONS</b>	<b>Yes</b>	<b>Comply Yes / No</b>	<b>Explain Deviations</b>
	Unit will meet or exceed the following industry standards: SAE J232, J115, J517, J920, J1150, J1170. ANSI/SAE S441.1, EP363.1, S390.1, S203.13, S217.11, S278.6, S318.14, S483. ASTM A370. A compliance report will be available upon request.	✓		

	<b>CUTTING HEAD</b>	<b>Yes</b>	<b>Comply Yes / No</b>	<b>Explain Deviations</b>
	The cutting head will have 435° of combined rotation, 50" of actual cut, and weigh at least 831 lbs.	✓		
	Deck will be 11 gauge, 110,000 psi rated Domex steel housing with 3/8" thick, 80,000 psi minimum rated steel side walls, with full length replaceable skid shoes on inner and outer ends.	✓		
	The cutting head will have a spring loaded, retractable shield for deflecting debris as well as protection from knife blades. (Optional hydraulically operated shield actuated by a 2" x 8" cylinder, controlled from within the cab.)	✓		Hydraulic Pool Standard
	Hydraulic motor will have a minimum rating of 99 hp.	✓		
	Cutting head will be attached to the spindle by (6), 5/8" grade-8 bolts with tapered bolt protector.	✓		
	Cutting assembly will be a 23-1/4" solid 1" thick steel dish with (3) case hardened, threaded inserts welded into place	✓		
	Cutting assembly will accommodate (3) 5/8" x 5" x 17-3/16" 360° swinging, single edged brush or grass suction knives. These knives will be attached to the dish with hexagonal blade bolts, and locking nuts.	✓		

	<b>SPINDLE</b>	<b>Yes</b>	<b>Comply Yes / No</b>	<b>Explain Deviations</b>
	Spindle will be one piece forged steel, mounted in double tapered roller bearings, sealed with oil bath	✓		
	Spindle for power to cutting assembly will be 7-1/4" in diameter at its largest area x 10-7/8" long with bearing areas of 3-1/4" and 2" with a minimum of 5" between bearing centers.	✓		
	Spindle will have a flexible coupler with dust cover	✓		
	Spindle housing will be attached to the cutting head so as to absorb 240,000 lbs. of shear strength, and distribute this load over an area of 169 inches <sup>2</sup> .	✓		

	MAINFRAME	Yes	Comply Yes / No	Explain Deviations
	Mainframe of mower is properly braced to rear axle and front axle housing to absorb side torque and impact of severe applications.	✓		
	The draft beam will be of a box construction with tapered sidewalls, and having the weldment extending through upper and lower surfaces of the draftbeam.	✓		
	The cutting assembly will be attached to the mainframe by means of a draftbeam with bearing surfaces in excess of 47 inches <sup>2</sup> .	✓		
	Control of outer end of the cutting assembly will be accomplished by means of direct, connected linkage and a single acting cylinder, allowing precise operation of cutting assembly.	✓		

	BOOM SPECIFICATIONS	Yes	Comply Yes / No	Explain Deviations
	Boom swivel bracket will be triple anchored with 1" thick T-1 steel. All (3) anchors will have 360° grease groove hardened spring steel replaceable split bushings. All (3) anchors will each be equipped with a grease zerk.		✓	Box Construction 100,000 PSI yd Cylinder TANG w/ GREASE ZERKS
	Wheel weight will weigh not less than 1,400 lbs., mounted on the left rear wheel (specifically excluding frame mounted weight.)	✓		
	The primary boom structural tube will have a minimum of the following sectional properties: Torsional 74.9" <sup>4</sup> Bending (Horizontal) 60.1" <sup>4</sup> Bending (Vertical) 23.8" <sup>4</sup> . The primary boom will be constructed of 8"x6"x1/4" steel tube, and reinforced with 3/8", T1 steel.	✓		
	The secondary boom structural tube will have a minimum of the following sectional properties: Torsional 25.0" <sup>4</sup> Bending (Horizontal) 22.1" <sup>4</sup> Bending (Vertical) 11.7" <sup>4</sup> . The secondary boom will be constructed of 6"x4"x1/4" steel tube, and reinforced with 3/8", T1 steel	✓		
	A Polycarbonate Lexan window will be installed to provide safety protection for the operator. It can be installed in place of, over the glass, or attached to a frame on the right side of the cab windows.	✓		
	Boom dimensions are measured from ground level and the tractor's centerline. Boom reach, height, and depth may vary depending upon tractor and/or tire configuration.	✓		



	50" Rotary	60" Rotary	50" HD Flail	63" Flail	48" Saw Head	36" FBC
A	16'7"	17'2"	16'1"	17'5"	16'7"	16'1"
B	19'2"	19'9"	18'8"	20'	19'2"	18'8"
C	11'	11'7"	10'6"	11'10"	11'	10'6"
D	6'2"	6'2"	5'8"	5'9"	6'2"	6'2"

	HYDRAULIC SYSTEM	Yes	Comply Yes / No	Explain Deviations
	Hydraulic oil reservoir will have a minimum capacity of 65 gallons, filled to a maximum of 52 gallons, will have a minimum of one fill sight glass and will be located between the left rear tire and the tractor fender.		✓	40 gallons Tiger
	Hydraulic oil reservoir will have a filter with 10 micron element, 75 gpm rated, and a restriction gauge visible to the operator.	✓		
	Hydraulic oil suction will be an unrestricted 1.5" ID (specifically excluded will be the suction filter and screens.)	✓		
	Hydraulic oil pressure and return system hoses will be 1" ID high pressure unrestricted. Hoses will have a burst pressure 4x working pressure.	✓		
	Hydraulic oil pressure, return, and lift system steel hydraulic lines will be mounted at the rear of the boom arms.	✓		
	Wire braid reinforced hydraulic lines will be used at all flexible positions on the boom arm (hydraulic hoses/tubing will not be allowed inside boom arms.)	✓		
	Hydraulic pump will be coupled to the tractor's PTO shaft by a flexible coupling and will operate at 1000 RPM.	✓		
	Hydraulic pump will have a rating of 98 hp input, and pump and motor will be gear type with cast steel housing and steel gears (specifically excluded are aluminum pumps, motors, and aluminum gears.)	✓		
	Hydraulic oil to the power center head will not pass through a restriction causing valve while operating the cutting head.	✓		
	Main hydraulic control valve will be non-restrictive, electric solenoid type, with starter lockout switch (Optional hydraulic brake available.)	✓		
	Tractor's hydraulic system will supply oil for the mower's lift system.	✓		